

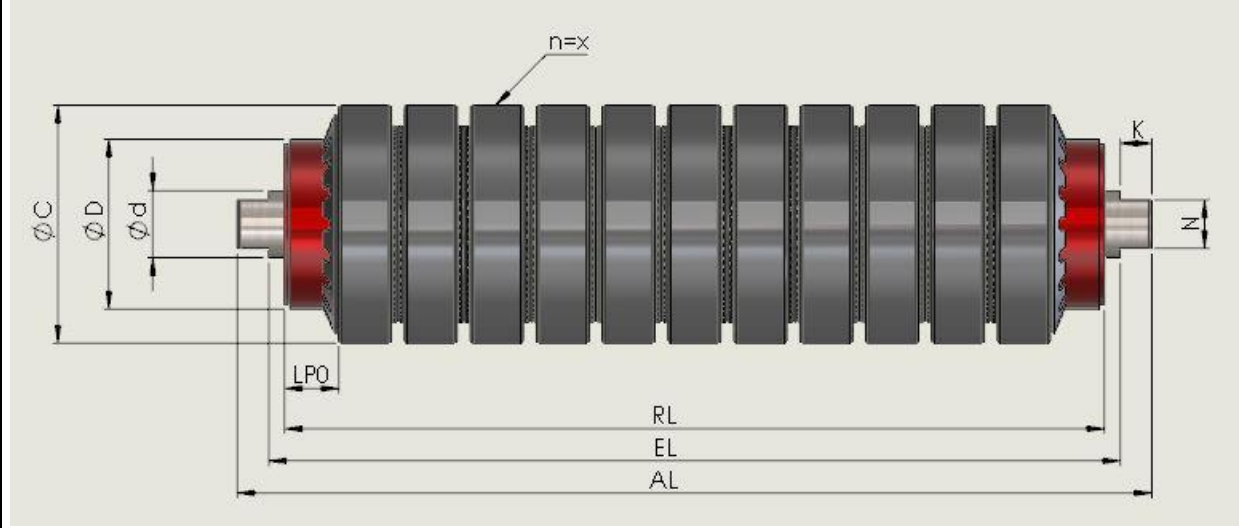
Information – roller



Company:
 Contact:
 Phone:
 Order: _____ Deadline: _____
 Date: _____ Quantity: _____

ID _____
 PRICE: _____

CONVEYOR ROLLER -AMORTIZATION DNA : _____



ROLLER TYPE

J Metal		K Galvanised metal		X Stainless (Inox)
------------	--	-----------------------	--	--------------------------

DIMENSIONS

* roller D = roller diameter	D		mm
* roller RL = roller operational width	RL		mm
* roller EL = installation dimension	EL		mm
* roller AL = axis length	AL		mm
* d = axis diameter	d		mm
* C = Rubber ring diameter	C		mm
* n=x = Number of rubber rings	n=x		Pcs.
* LPO = Starting distance	LPO		mm

METHOD OF AXIS CLAMPING

G Even axis (fixed)	VZ Spring axis	NK Wrench socket	NN Internal thread	ZN External thread
		N ____ x K ____ mm	M ____ x ____ mm	M ____ x ____ mm

CODE: _____ NAME: _____